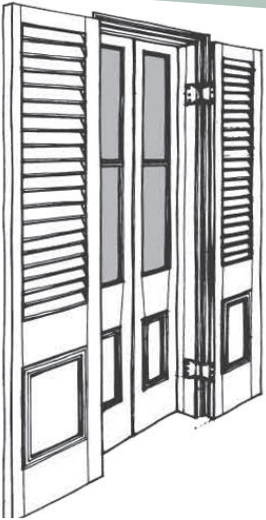


The current version of this document is on the internet. Printed version & prices may be superseded. All material subject to copyright.



## WHAT IS THE DIFFERENCE BETWEEN STORM AND PLANTATION SHUTTERS?

Storm shutters have fixed blades robustly built to withstand heavy weather. Plantation shutters are lightweight adjustable shutters primarily for use internally.

## WHAT IS THE PRACTICAL USE OF STORM SHUTTERS?

Throughout the nineteenth century, louvred storm shutters were used to block sunlight, enhance security and allow for the night ventilation of houses. Full height shutters hung on parliament hinges often screened french doors or were fixed in roof gables to ventilate roof spaces. The Woodworkers Company makes fixed louvre storm shutters to any size or design (with or without insect screening) to complement house joinery and restore authentic style.

## HOW ARE STORM SHUTTERS CONSTRUCTED?

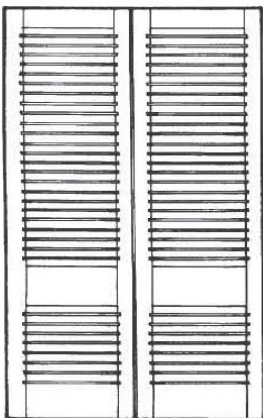
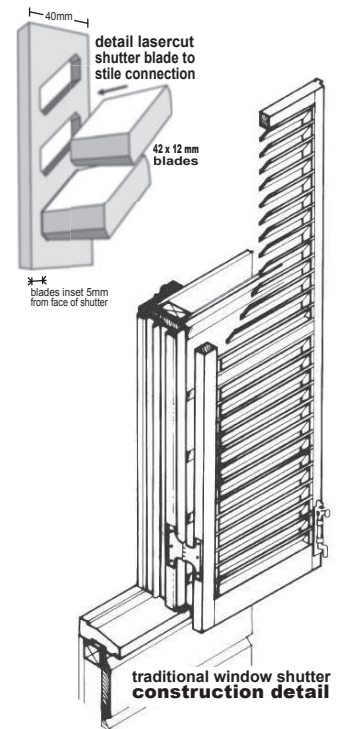
Woodworkers manufactures storm shutters using traditional mortise and tenon joinery construction 40mm thick. The fixed blades are slotted into lasercut side galleries to ensure pinpoint accurate alignment. The louvres do not project beyond the face of the joinery, which makes them easier for fixing insect screening if required. Storm shutters use more timber than almost any other joinery item so they are relatively expensive. They are generally manufactured using Surian Cedar frame and blades for durable external performance.

## CAN WOODWORKERS MATCH EXISTING STORM SHUTTERS?

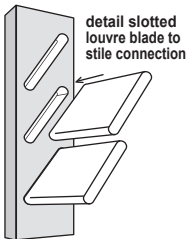
Yes. Traditionally shutters were constructed with angled trenches cut into the side stiles of joinery and the blades protruded forward from the face of the sash. These details can be copied but the process is labour intensive, more expensive and less accurate than our standard fabrication methods.

## WHAT SIZE RESTRICTIONS APPLY TO STORM SHUTTERS?

Where large units are required it is usually necessary to run lasercut stabilising mullions at approximately 500mm centres to restrict twist in the blades. Unfortunately, any slight misalignment, twist or bow in the louvres is accentuated by the parallel pattern of shutters. Woodworker's unique storm shutter construction allows this problem to be restricted so that large shutters sometimes exceeding more than 2 metres in width can be manufactured.



woodworkers  lockrail storm shutter PFS1



woodworkers  slotted louvre doors

## WHAT TYPES OF FIXES BLADE SHUTTERS DO YOU MAKE?

Woodworkers manufacture fixed blade slotted shutters in 32mm and 40mm thickness. The blade size is 38 x 10 for 40mm doors and 31 x 6 for 32mm blades. Door construction is usually mortice and tenon but fixed blade shutters are not recommended for unprotected external locations as the blades are relatively thin and less durable. Most slotted louvre doors are manufactured in red cedar but other species can be fabricated to quotation.

## I NEED ADJUSTABLE SHUTTERS EXTERNALLY. ARE ALUMINIUM PLANTATION SHUTTERS MY ONLY LONG TERM SOLUTION?

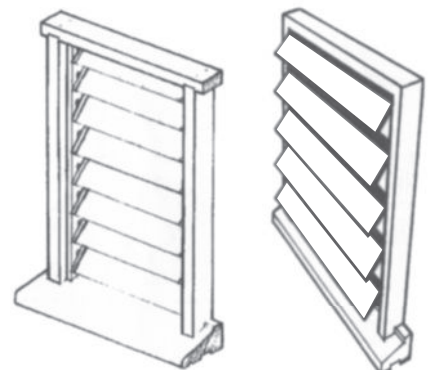
No. Adjustable louvre galleries also provide the look of plantation shutters but are fully engineered to withstand all weather conditions.

## WHAT ARE THE ADVANTAGES OF LOUVRE GALLERIES?

Adjustable galleries provide sunlight control and privacy when used, for example, around external living spaces. They permit 100% of the space to be open to breezes and can use timber, glass or metal blades to achieve desired effects. They provide a durable external solution that is contemporary and practical. Louvre blades are typically either 102mm or 152mm wide and Woodworkers can fabricate pre-assembled units to any size to suit particular security, accessibility and privacy considerations. Louvre units either come in the traditional centre pivot design or can be manufactured using the french Jalousie system which are back pivoted. Jalousie blades are set in strong metal channels to the inside which perform the dual function of operating the blade and providing an impervious security grid to the opening. They can hold both glass and timber blades and are suitable for high security and exposure situations.

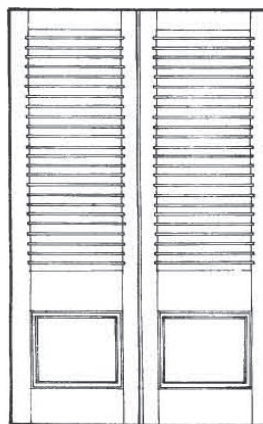


euro style storm shutters



adjustable timber louvres

jalousie louvres



woodworkers  panelled storm shutter PFS2



we've been making external shutters since 1928

### BRISBANE

1095 Ipswich Rd  
Moorooka 4105  
☎ 07 3848 1383  
F: 07 3892 1476

### GOLD COAST

Warehouse Road  
Southport 4215  
☎ 07 5571 0088  
F: 07 5571 0617

### SUNCOAST

53 Wisers Road  
Maroochydore  
☎ 07 5479 0999  
F: 07 5479 0911

### SYDNEY

2 Sydenham Rd  
Brookvale 2100  
☎ 02 9938 4999  
F: 02 9938 4666



Panelled Fixed Blade  
Storm Shutter

Size	Cedar
2040 x 620 x 40	\$398



Full Fixed Blade  
Storm Shutter

Size	Cedar
2040 x 820	\$518
2040 x 720	\$466
2040 x 620	\$412

extra for back glazing for use  
as bushfire shutter + 20%